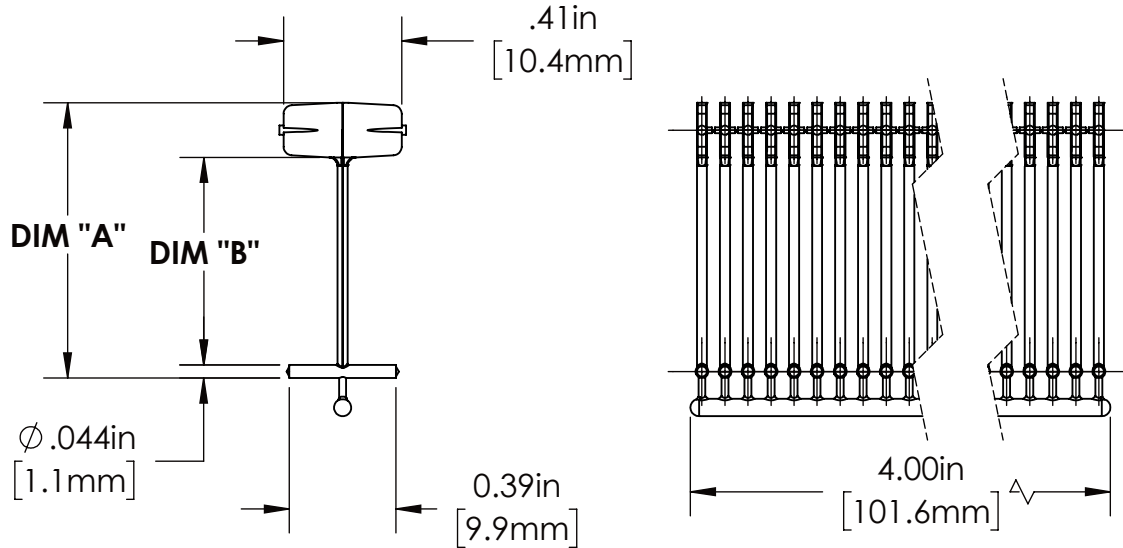


EVERY DENNISON MARKETING SPECIFICATION

© 2022 EVERY DENNISON CORPORATION. ALL RIGHTS RESERVED

HISTORY

REV	DATE	DESCRIPTION
A	8/20/24	INITIAL RELEASE



SKU NO	REV	DESCRIPTION	COLOR	DIM "A"	DIM "B"	WEIGHT
RPP95SP25-BLK	A	1" [25mm] STD Ecotach™ rPP 95% MIN RC Black	BLK*	1.25[31.8mm]	1.00[25mm]	.048 grams each
RPP95SP40-BLK	A	1-9/16" [40mm] STD Ecotach™ rPP 95% MIN RC Black	BLK*	1.82[46.2mm]	1.57[40mm]	.056 grams each
RPP95SP50-BLK	A	2" [50mm] STD Ecotach™ rPP 95% MIN RC Black	BLK*	2.25[57.2mm]	2.00[50mm]	.056 grams each
RPP95SP65-BLK	A	2-9/16" [65mm] STD Ecotach™ rPP 95% MIN RC Black	BLK*	2.82[71.6mm]	2.57[65mm]	.056 grams each

*BLACK FASTENERS CONTAIN COLOR CONCENTRATE

MINIMUM TENSILE STRENGTH	3.6 LBSF/ 1.62 KGF
WEIGHT	SEE TABLE
CLIP QUANTITY	50 FASTENERS PER CLIP
APPLICATION TOOLS	10651 MARK III PISTOL-GRIP 08945- MARK III SCISSOR GRIP 10636- MARK III LONG NEEDLE PISTOL 16000- SOFT GRIP SPU2M01- MARK II INDUSTRIAL - LONG NEEDLE SPU2M03- MARK II INDUSTRIAL - SHORT NEEDLE
PACKAGING	5,000 PER CARTON/ 50,000 PER CASE

APPROVALS: ENG. APPR. *Dave Schuttler 8/20/2024*
Q.A. APPR. *William O' Malley 8/20/2024*



FASTENER DIVISION
FITCHBURG, MA 01420 U.S.A.
TEL. 1-800-225-5913
FAX. 978-353-8157

SPECIFIED TOLERANCES ARE:

.XX ± .03 INCHES .X ± .7 mm
.XXX ± .010 INCHES .XX ± .25 mm
ANGULAR: ± 2°

MATERIAL 95% Min rPP; Color Concentrate

COLOR SEE TABLE

DESCRIPTION Ecotach™ rPP 95% MIN RC, Black, STD, Clip Fastener

STOCK NO. SEE TABLE

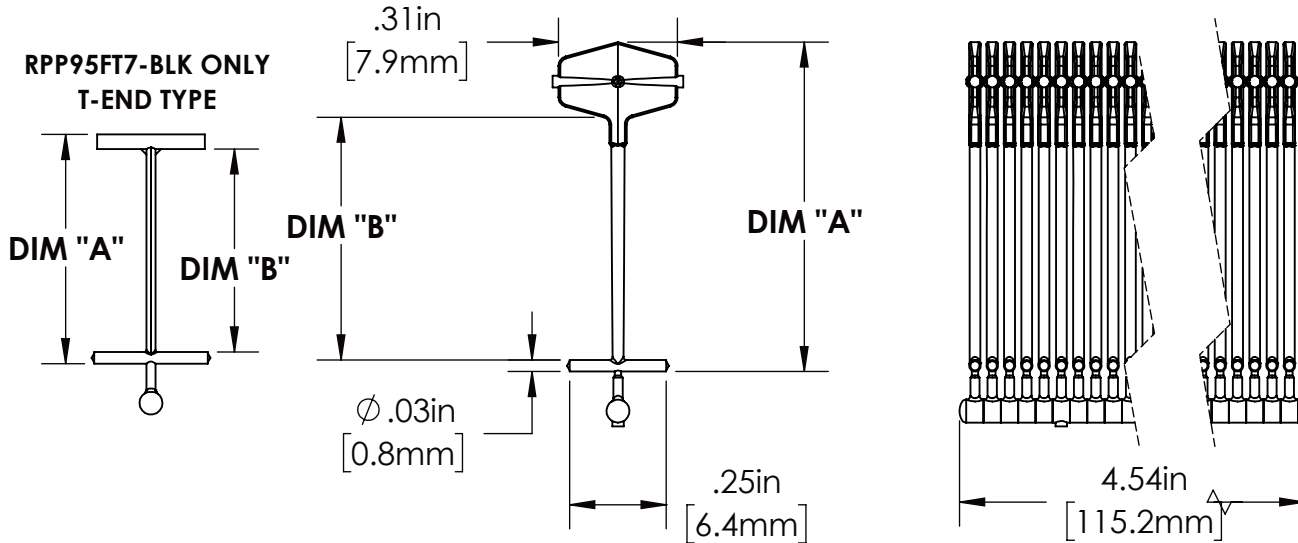
REV. **A**

AVERY DENNISON MARKETING SPECIFICATION

© 2022 AVERY DENNISON CORPORATION. ALL RIGHTS RESERVED

HISTORY

REV	DATE	DESCRIPTION
A	8/20/24	INITIAL RELEASE



SKU NO	REV	DESCRIPTION	COLOR	DIM "A"	DIM "B"	LENGTH TOLERANCE	WEIGHT
RPP95FT7-BLK	A	1/4" [7mm] FF Ecotach™ 95% RC MIN rPP Black	BLK*	.31 [7.8mm]	.25 [7mm]	+/- .060 +/- [1.50mm]	.010 grams each
RPP95FP13-BLK	A	1/2" [13mm] FF Ecotach™ 95% RC MIN rPP Black	BLK*	.75 [19mm]	.50 [13mm]	+/- .060 +/- [1.50mm]	.010 grams each
RPP95FP17-BLK	A	11/16" [17mm] FF Ecotach™ rPP 95% MIN RC Black	BLK*	.91 [23mm]	.67 [17mm]	+/- .060 +/- [1.50mm]	.010 grams each
RPP95FP25-BLK	A	1" [25mm] FF Ecotach™ rPP 95% RC MIN Black	BLK*	1.25 [32mm]	1.00 [25mm]	+/- .060 +/- [1.50mm]	.010 grams each
RPP95FP50-BLK	A	2" [50mm] FF Ecotach™ rPP 95% RC MIN Black	BLK*	2.25 [57mm]	2.00 [50mm]	+/- .060 +/- [1.50mm]	.010 grams each
RPP95FP70-BLK	A	2-3/4" [70mm] FF Ecotach™ rPP 95% MIN RC Black	BLK*	3.00 [76mm]	2.75 [70mm]	+/- .060 +/- [1.50mm]	.010 grams each

*BLACK FASTENERS CONTAIN COLOR CONCENTRATE

MINIMUM TENSILE STRENGTH	2.8 LBSF/ 1.27 KGF
WEIGHT	SEE TABLE
CLIP QUANTITY	100 FASTENERS PER CLIP
APPLICATION TOOLS	10312- MARK III FINE FABRIC PISTOL-GRIP SPU2M02- MARK II INDUSTRIAL FINE FABRIC - LONG NEEDLE SPU2M04- MARK II INDUSTRIAL FINE FABRIC - SHORT NEEDLE
PACKAGING	10,000 PER CARTON/100,000 PER CASE

APPROVALS: ENG. APPR. *Dave Schuttler 8/20/2024*
Q.A. APPR. *William O' Malley 8/20/2024*



FASTENER DIVISION
FITCHBURG, MA 01420 U.S.A.
TEL. 1-800-225-5913
FAX. 978-353-8157

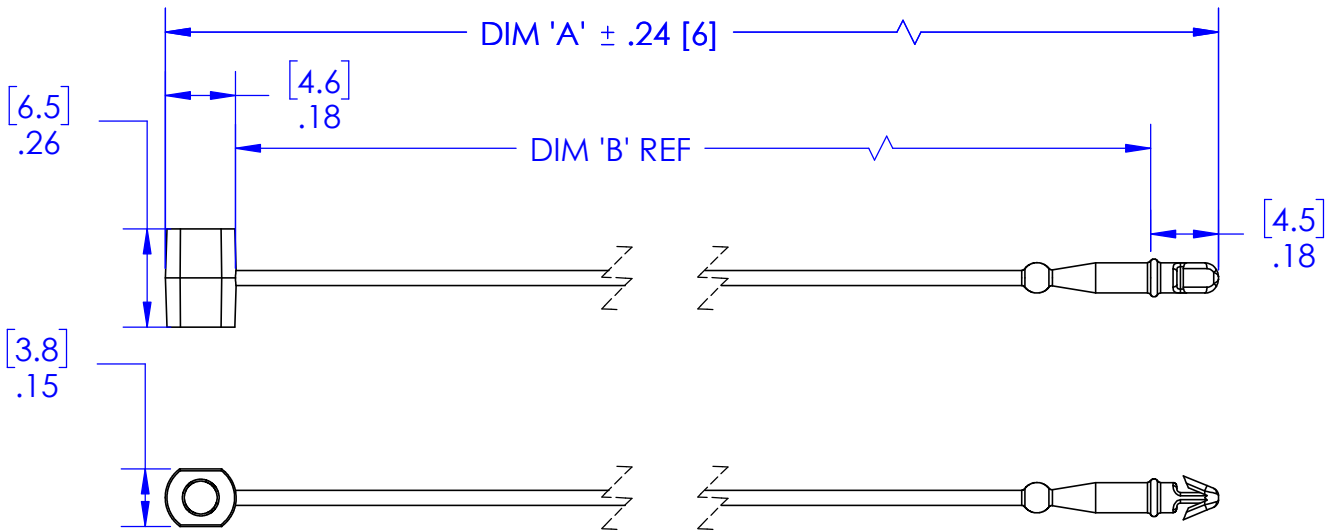
SPECIFIED TOLERANCES ARE:		MATERIAL 95% MinrPP; Color Concentrate	DESCRIPTION Ecotach™ rPP 95% MIN RC, Black, Fine Fabric, Clip Fastener	
.XX ± .03 INCHES	.X ± .7 mm		STOCK NO.	REV.
.XXX ± .010 INCHES	.XX ± .25 mm	COLOR	SEE TABLE	A
ANGULAR: ± 2°		SEE TABLE		

AVERY DENNISON MARKETING SPECIFICATION

© 2019 AVERY DENNISON CORPORATION. ALL RIGHTS RESERVED

HISTORY

REV.	DATE	DESCRIPTION
A	10.07.24	RELEASED



STOCK NUMBER	REV	COLOR	DIM 'A'	DIM 'B'	WEIGHT
RPP95SEC85-BLK	A	BLACK	3.3 [84]	2.9 [73]	0.1 GRAMS
RPP95SEC135-BLK	A	BLACK	5.3 [134]	4.9 [123]	0.1 GRAMS
RPP95SEC185-BLK	A	BLACK	7.3 [184]	6.9 [173]	0.1 GRAMS
RPP95SEC235-BLK	A	BLACK	9.2 [234]	8.8 [223]	0.1 GRAMS
RPP10SEC85-NAT	A	NATURAL	3.3 [84]	2.9 [73]	0.1 GRAMS
RPP10SEC135-NAT	A	NATURAL	5.3 [134]	4.9 [123]	0.1 GRAMS
RPP10SEC185-NAT	A	NATURAL	7.3 [184]	6.9 [173]	0.1 GRAMS
RPP10SEC235-NAT	A	NATURAL	9.2 [234]	8.8 [223]	0.1 GRAMS

MINIMUM TENSILE STRENGTH	8 LBF [3.6 kg] MIN
MATERIAL	NATURAL - 100% rPP BLACK - 95% rPP MIN; COLOR CONCENTRATE
WEIGHT	SEE TABLE
PACKAGED IN	500 PER BAG 5000 PER INNER CARTON 50000 PER MASTER CARTON

APPROVALS:	ENG. APPR. <i>Dave Schuttler</i> 10.07.24
	Q.A. APPR. <i>William O' Malley</i> 10.07.24



FASTENER DIVISION
FITCHBURG, MA 01420 U.S.A.
TEL. 1-800-225-5913
FAX. 978-353-8157

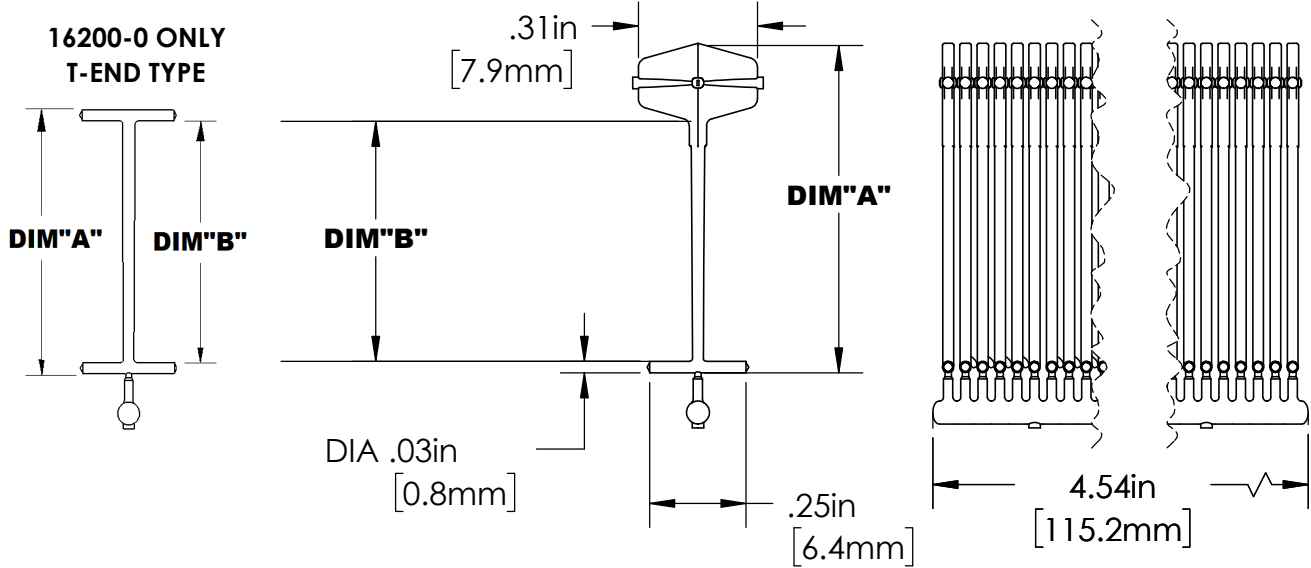
SPECIFIED TOLERANCES ARE:		MATERIAL	DESCRIPTION	ECOTACH rPP SECURATACH
.XX ± .03 INCHES	.X ± .7 mm	SEE TABLE	STOCK NO.	SEE TABLE
.XXX ± .010 INCHES	.XX ± .25 mm	COLOR		REV.
ANGULAR: ± 2°		SEE TABLE		A

EVERY DENNISON MARKETING SPECIFICATION

© 2022 EVERY DENNISON CORPORATION. ALL RIGHTS RESERVED


HISTORY

REV.	DATE	DESCRIPTION
B	5-18-22	Added 16200 & 16203-16205



SKU NO	REV	DESCRIPTION	COLOR	DIM "A"	DIM "B"	LENGTH TOLERANCE	WEIGHT
16200-0	A	1/4" [7mm] FF Ecotach™ rPP	NAT*	.31 [7.8mm]	.25 [7mm]	+/--.060 +/-[1.5mm]	.010 grams each
16201-0	A	1/2" [13mm] FF Ecotach™ rPP	NAT*	.75 [19mm]	.50 [13mm]	+/--.060 +/-[1.5mm]	.010 grams each
16202-0	A	11/16" [17mm] FF Ecotach™ rPP	NAT*	.91 [23mm]	.67 [17mm]	+/--.060 +/-[1.5mm]	.010 grams each
16203-0	A	1" [25mm] FF Ecotach™ rPP	NAT*	1.25 [32mm]	1.00 [25mm]	+/--.060 +/-[1.5mm]	.010 grams each
16204-0	A	2" [50mm] FF Ecotach™ rPP	NAT*	2.25 [57mm]	2.00 [50mm]	+/--.120 +/-[3mm]	.010 grams each
16205-0	A	2-3/4" [70mm] FF Ecotach™ rPP	NAT*	3.00 [76mm]	2.75 [70mm]	+/--.120 +/-[3mm]	.010 grams each

NOMINAL TENSILE STRENGTH	3.5 - 4.5 LBSF / 1.5 - 2.0 KGF
WEIGHT	SEE TABLE
CLIP QUANTITY	100 Fasteners per clip
APPLICATION TOOLS	10312 - Mark III Fine Fabric Pistol-Grip SPU2M02 - Mark II Industrial Fine Fabric - Long Needle SPU2M04 - Mark II Industrial Fine Fabric - Short Needle
PACKAGING	10,000 per carton / 100,000 per case

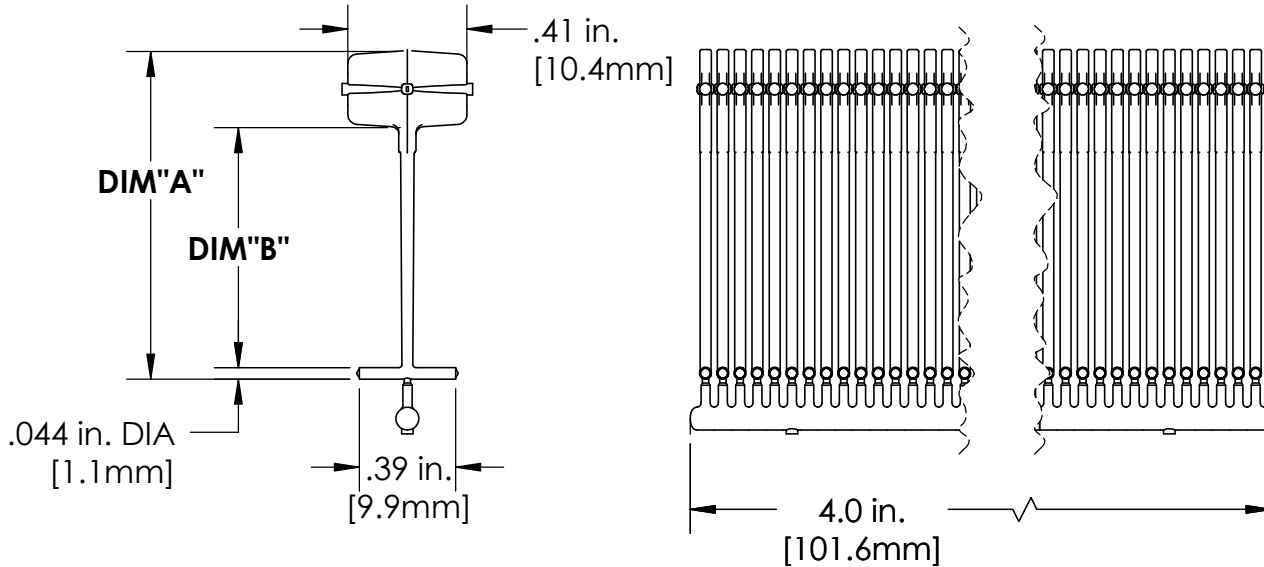
APPROVALS:	ENG. APPR. <i>Bill Cooper</i> 5-18-22		FASTENER DIVISION FITCHBURG, MA 01420 U.S.A. TEL. 1-800-225-5913 FAX. 978-353-8157
	Q.A. APPR. <i>Rick Estano</i> 5-18-22		
SPECIFIED TOLERANCES ARE:		MATERIAL 30% rPP 70% Polypropylene	DESCRIPTION Ecotach™ rPP Fine Fabric Clip Fastener
.XX ± .03 INCHES .X ± .7 mm		COLOR See Note	STOCK NO. See Table
.XXX ± .010 INCHES .XX ± .25 mm			REV. B
ANGULAR: ± 2°			

AVERY DENNISON MARKETING SPECIFICATION

© 2022 AVERY DENNISON CORPORATION. ALL RIGHTS RESERVED

HISTORY

REV.	DATE	DESCRIPTION
B	5-18-22	Added 16301-0



SKU NO	REV	DESCRIPTION	COLOR	DIM "A"	DIM "B"	WEIGHT
16300-0	A	1" [25mm] STD Ecotach™ rPP	NAT*	1.25 [31.8mm]	1.00 [25mm]	.048 grams each
16301-0	A	1-9/16" [40mm] STD Ecotach™ rPP	NAT*	1.82 [46.2mm]	1.57 [40mm]	.056 grams each
16302-0	A	2" [50mm] STD Ecotach™ rPP	NAT*	2.25 [57.2mm]	2.00 [50mm]	.056 grams each
16303-0	A	2-9/16" [65mm] STD Ecotach™ rPP	NAT*	2.82 [71.6mm]	2.57 [65mm]	.056 grams each

NOMINAL TENSILE STRENGTH	4.5 - 5.5 LBSF / 2.0 - 2.5 KGF
WEIGHT	SEE TABLE
CLIP QUANTITY	50 Fasteners per clip
APPLICATION TOOLS	10651 - Mark III Pistol-Grip 08945 - Mark III Scissor Grip 10636 - Mark III Long Needle Pistol 16000 - Soft Grip SPU1M01 - Mark II Industrial - Long Needle SPU1M03 - Mark II Industrial - Short Needle
PACKAGING	5,000 per carton / 50,000 per case

APPROVALS: ENG. APPR. *Bill Cooper 5/18/22*
Q.A. APPR. *Rick Estano 5/18/22*



FASTENER DIVISION
FITCHBURG, MA 01420 U.S.A.
TEL. 1-800-225-5913
FAX. 978-353-8157

SPECIFIED TOLERANCES ARE:		MATERIAL 30% rPP 70% Polypropylene	DESCRIPTION Ecotach™ rPP Standard Clip Fastener	
.XX ± .03 INCHES	.X ± .7 mm	COLOR	STOCK NO. See Table	REV. B
.XXX ± .010 INCHES	.XX ± .25 mm	See Note		
ANGULAR: ± 2°				